

### KEY FEATURES

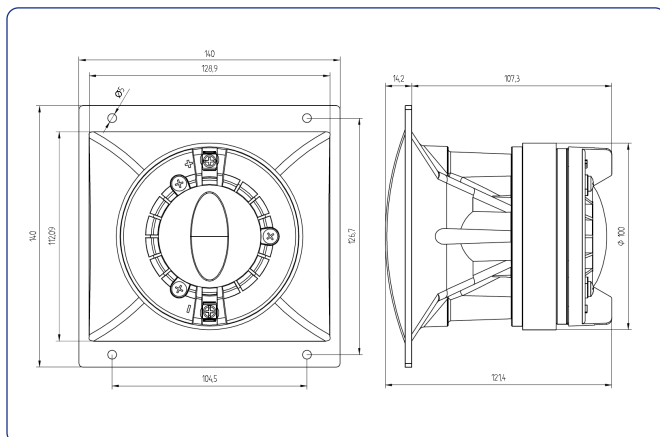
- Excellent power handling: 50 W<sub>AES</sub> above 1,5 kHz
- High sensitivity: 107 dB (1W / 1m)
- Extended frequency range: 0,8 - 18 kHz
- Low harmonic distortion
- 1,75" edgewound aluminum voice coil with polyimide former
- Lightweight mylar diaphragm
- 80° x 60° horn
- Designed for compact cabinets



### TECHNICAL SPECIFICATIONS

Throat diameter	25 mm	1 in
Rated impedance		8 Ω
Minimum impedance		5 Ω @ 4 kHz
D.C. resistance		4,4 Ω
Power capacity*	50 W <sub>AES</sub> above 1,5 kHz	
Program power	100 W above 1,5 kHz	
Sensitivity**	107 dB	1W @ 1m
Frequency range		0,8 - 18 kHz
Recommended crossover		1,5 kHz or higher (12 dB/oct min.)
Voice coil diameter	44,4 mm	1,75 in
Flux density		1,65 T
BI factor		8,5 N/A

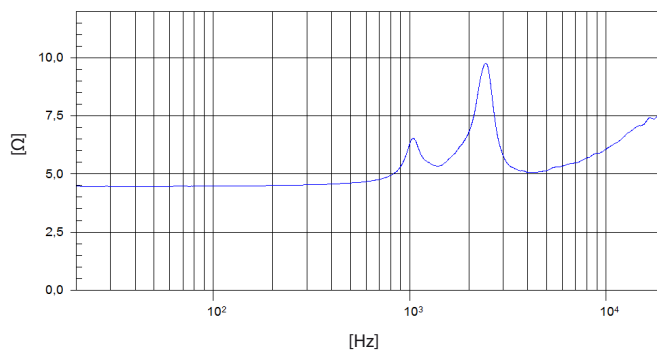
### DIMENSION DRAWINGS



### MOUNTING INFORMATION

Overall dimensions	140 x 140 mm	5,51 x 5,51 in
Cutout dimensions	130 x 115 mm	5,12 x 4,53 in
Depth	121 mm	4,76 in
Net weight	1,5 kg	3,3 lb
Shipping weight	1,7 kg	3,74 lb

### FREE AIR IMPEDANCE CURVE

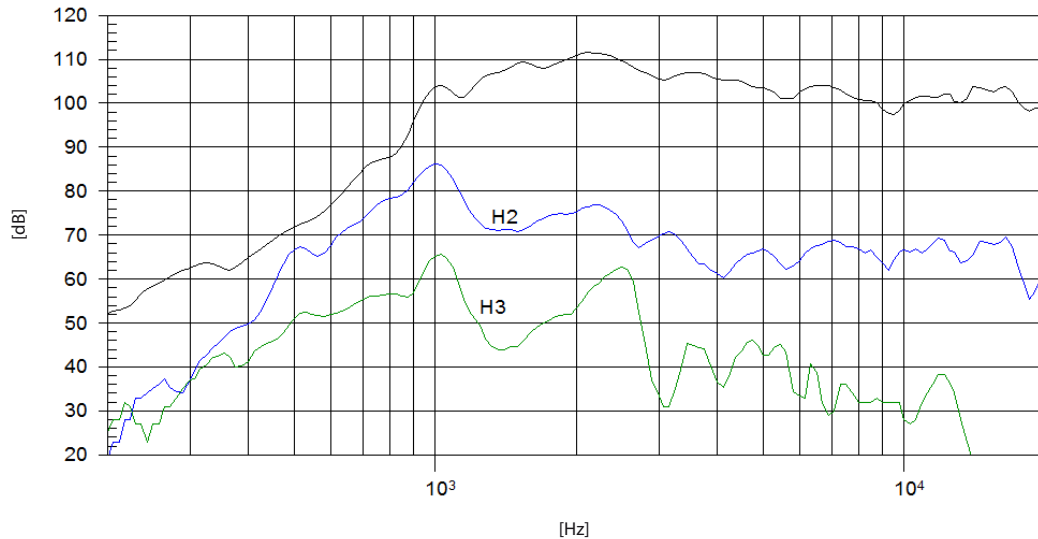


#### Notes:

\* The power capacity is determined according to AES2-1984 (r2003) standard. Program power is defined as the transducer's ability to handle normal music program material.

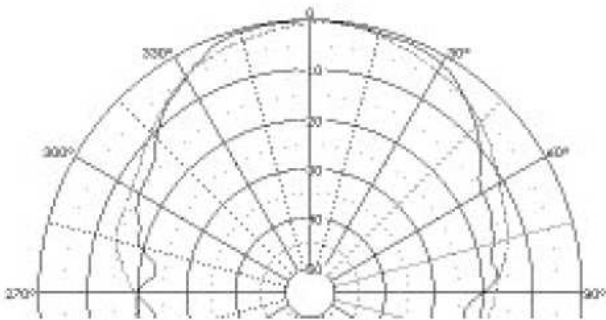
\*\* Sensitivity was measured at 1m distance, on axis, with 1W input, averaged in the range 1 - 7 kHz.

## FREQUENCY RESPONSE AND DISTORTION



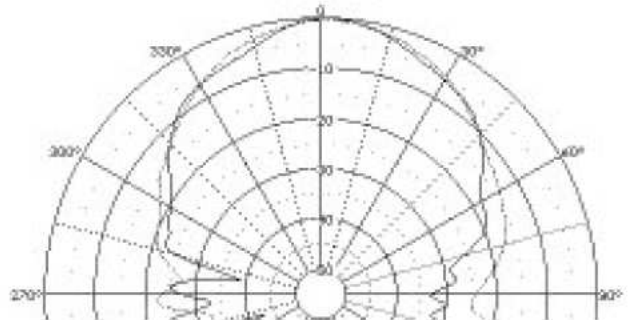
Note: On axis frequency response measured in anechoic chamber, 1W @ 1m

## HORIZONTAL POLAR PATTERN



Note: Discontinuous line: 6 kHz, Continuous line: 12 kHz

## VERTICAL POLAR PATTERN



Note: Discontinuous line: 6 kHz, Continuous line: 12 kHz